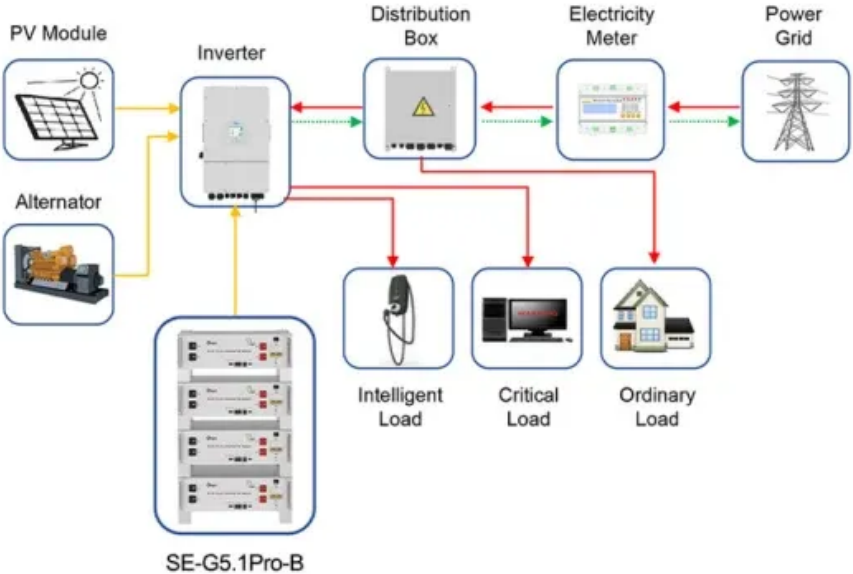


Photovoltaic panels with a conversion rate of 27



Application scenarios of energy storage battery products



Overview

Panel counts round up to whole panels. Use the calculator above to translate your energy needs into a right-sized solar array. This guide explains the equations, what each input means, and how to avoid the most common pitfalls-complete with worked examples you can mirror.

Photovoltaic panels with a conversion rate of 27



Photovoltaics and electricity

A photovoltaic (PV) cell, commonly called a solar cell, is a nonmechanical device that converts sunlight directly into electricity. Some PV cells can convert artificial light into electricity. Sunlight is composed

Photovoltaics

Photovoltaic technology has been improving extremely rapidly during the past decade. At this time photovoltaics is the energy source of choice for remote power requirements and for emergency



McDonald's menu

Restaurant menu, map for McDonald's located in 92879, Corona CA, 1215 Magnolia Avenue.

McDonald's Near Me

Order online for pickup and skip the wait. Or order delivery and get food super fast to your door. Support us by ordering direct - we're serving up all your favorites



[Most efficient solar panels 2025 - Clean Energy Reviews](#)

Solar panel efficiency is the amount of sunlight (solar irradiance) that falls on the surface of a solar panel and is converted into electricity. Due to the many advances in photovoltaic

[McDonald's Menu: Our Full McDonald's Food Menu , McDonald's](#)

Our full McDonald's menu features everything from breakfast menu items, burgers, and more! The McDonald's lunch and dinner menu lists popular favorites including the Big Mac(R) and our World



MCDONALD'S

MCDONALD'S - Try Our New Menu - 1215 Magnolia Ave, Corona, CA 92879, 89 Photos, (951) 734-5211, Mon - 4:30 am - 1:00 am, Tue - 4:30 am - 1:00 am, Wed - 4:30 am - 1:00 am, Thu - 4:30 am -

What Are Photovoltaics? (2026) , ConsumerAffairs(R)

Photovoltaic technology lets you generate electricity from a renewable source: the sun. Unlike traditional methods of electricity generation, which often rely on fossil fuels, photovoltaics



[McDonald's: Burgers, Fries & More. Quality Ingredients.](#)

McDonalds is your hub for everything McDonald's. Find out more about our menu items and promotions today!

[Fast Food in Corona, CA at 310 S Lincoln St. , McDonald's](#)

Find out if your local nearby McDonald's is open 24 hours, offers Drive Thru or McDelivery(R)**, and more through the McDonald's restaurant



locator. Before you head out, check out the deals page for our



Photovoltaics

Photovoltaics (PV) is the conversion of light into electricity using semiconducting materials that exhibit the photovoltaic effect, a phenomenon studied in physics, photochemistry, and electrochemistry. The



McDonald's Menus and Locations in Corona, CA

Discover the latest McDonald's menus and locations. Select the store to get up-to-date McDonald's store information in Corona, California.

Photovoltaics (PV)

Photovoltaic systems work by utilizing solar cells to convert sunlight into electricity. These solar cells are made up of semiconductor materials, such as silicon, that absorb photons from



[How Do Solar Cells Work? Photovoltaic Cells Explained](#)

The conversion of sunlight, made up of particles called photons, into electrical energy by a solar cell is called the "photovoltaic effect" - hence why we refer to solar cells as "photovoltaic", or PV



McValue(R): McDonald's Value Menu Near Me

Order McDonald's today and save with McValue!



Solar PV Energy Factsheet

Solar energy can be harnessed two primary ways: photovoltaics (PVs) are semiconductors that generate electricity directly from sunlight, while solar thermal technologies use sunlight to heat water for

Try our meal deals, breakfast deals and more in the McDonald's app or at a location near you.



Solar Photovoltaic: Everything You Should Know

What is a solar photovoltaic (PV) system? A solar PV system is a technology that converts sunlight directly into electricity using the photovoltaic effect.

[What is the conversion rate of solar photovoltaic panels?](#)

In summary, the conversion rate of solar photovoltaic panels largely determines their effectiveness in transforming sunlight into usable electricity,



Photovoltaics , Department of Energy

Photovoltaic (PV) technologies - more commonly known as solar panels - generate power using devices that absorb energy from sunlight and convert it into electrical energy through semiconducting

PVWatts Calculator

Estimates the energy production of grid-connected photovoltaic (PV) energy systems throughout the world. It allows homeowners, small building owners, installers and manufacturers to easily develop



[Photovoltaic Applications , Photovoltaic Research , NLR](#)

As we pursue advanced materials and next-generation technologies, we are enabling PV across a range of applications and locations. Many acres of PV panels can provide utility-scale

Find the Nearest McDonald's in the USA

Search for the nearest McDonald's in the USA. Get directions, store hours, and available services with our restaurant locator.



[McDonald's Locations: Fast Food Restaurants Near Me , McDonald's](#)

Find the nearest McDonald's drive thrus, store hours and services. McDonald's location page connects you to a restaurant near you quickly and easily!

Contact Us

For catalog requests, pricing, or partnerships, please visit:
<https://www.xaviergmphoto.es>